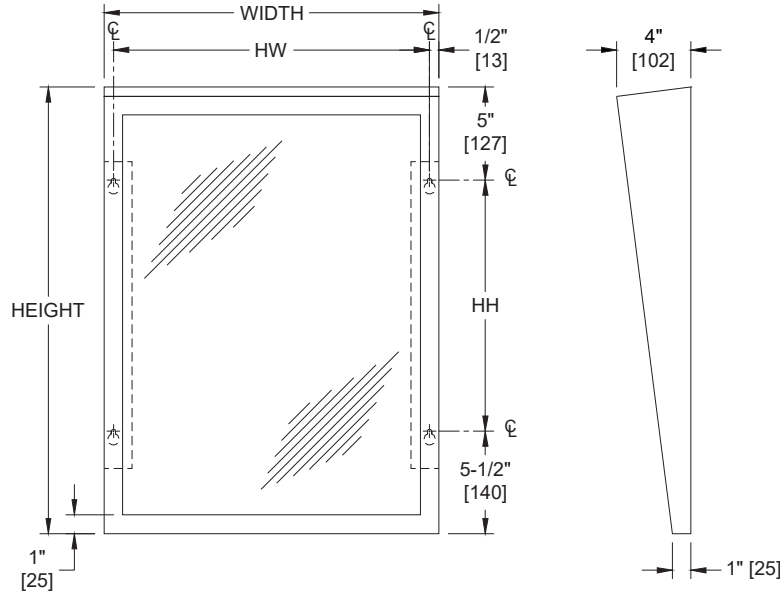


**Fixed Tilt Mirror - Variable Sizes**

Mirrors

MasterFormat Section 10 28 13



Scan for Information



**SUSTAINABILITY/LEED**

MR 4.1 (1) MR 6 (1) EQ 4.2 (1)  
MR 4.2 (1) EQ 4.1 (1) EQ 4.4 (1)

**NOTE:**  
ALL DIM'S INCH [MM]  
ILLUSTRATION FOR REF ONLY AND NTS  
FOR CLEANING INSTRUCTIONS SEE APPROPRIATE SECTIONS IN  
PRODUCT CARE & MAINTENANCE BULLETIN (PCM) ON ASI WEBSITE

**PRODUCT OVERVIEW**

Offers visibility for wheelchair patients. Frame fabricated of 20 gauge stainless steel with a satin finish. Mirror is tapered from 4" [102] at top to 1" [25] at bottom.

**KEY FEATURES & SPECIFICATIONS**

- Fixed Tilt Angle offers visibility for wheelchair patients.
- Corners are polished smooth to a uniform satin finish.
- Type 304, alloy 18-8 stainless steel - Satin Finish Frame
- Plate Glass Mirror
- Surface Mounted
- Frame face is one piece construction free of miters or spot welded seams
- Various sizes and glazing options

**TECHNICAL INFORMATION / PRODUCT PROPERTIES**

Property	Value
Dimensions	Various sizes and glazing options
Construction	Type 304, alloy 18-8 stainless steel - Satin Finish Frame Plate Glass Mirror
Mounting	Surface Mounted
Materials	<p>Frame: 18-8, type 304, 20 gauge stainless steel. Unitized all welded construction. Corners mitered, welded and polished. Exposed surfaces have satin finish. Edges and corners are burr free.</p> <p>Glass: Standard glazing is #1 quality, 1/4" [6.4] thick plate/float, silver coated and hermetically sealed with a uniform coating of electrolytic copper plating, warranted against silver spoilage for 15 years. Mirrors meet Federal Spec. DD-M-411C, ASTM C-1503, and ASTM C-1036-91.</p> <p>Filler: Expanded polyethylene microcell foam sheet material, abrasion resistant and shock absorbing, water resistant, 1/8" [3.2] total layer thickness.</p>

**INSTALLATION**

Unit is surface mounted on wall or partition using four (4) #10 self-threading screws (by others). Mounting holes through back are "keyhole" slots for hanging unit on pre-installed screws. Unit requires 5/8" [16] clearance at top to engage screws in keyhole slots. For compliance with 2010 ADA Accessibility Standards and 2015 ABA Standards, bottom of reflecting surface should be installed 40" [1016] maximum Above Finished Floor.

**SIZE OPTIONS**

Plate Glass	0535-1630 - 16" [406] wide x 30" [762] high	0535-1824 - 18" [457] wide x 24" [610] high
	0535-1830 - 18" [457] wide x 30" [762] high	0535-1836 - 18" [457] wide x 36" [914] high
	0535-2430 - 24" [610] wide x 30" [762] high	0535-2436 - 24" [610] wide x 36" [914] high

**GLAZING OPTIONS**

(A) Plate Glass - 1/4" [6.4] #1 quality polished, silver coated and hermetically sealed with an electrolytic copper plating. Mirrors meet Federal Spec. No. DD-M-411C, ASTM C-1503 and ASTM-C-1036-91. Image quality: Excellent

(B) Tempered Glass - 1/4" [6.4] thick polished tempered glass with two coats of silver. Hermetically sealed with an electrolytic copper plating. Back of mirror is finished and protected with a heavy waterproof paint. Glazing meets Federal Specification No. DD-G1403B, Amendment 1, ASTM C-1503 and ASTM-C-1048-92. Image quality: Good

(C) Metal Mirrors - Type 304 alloy 18-8 stainless steel, 20 gauge polished to a #8 mirror finish. Image quality: Good

(D) Lexan Dura-Mirror - 1/4" [6.4] impact resistant polycarbonate sheet. Mirror face is provided with removable masking to prevent scratching during installation. Image quality: Very Good

(E) Plexiglas® - 1/4" [6.4] thick acrylic plastic, lightweight and highly shock resistant. Image quality: Very Good

(L) Mirror is fabricated with a 1/32" [0.8] thick vinyl interlayer bonded between two 1/8" [3] sheets of #1 quality polished plate glass with back silver. Hermetically sealed with a uniform coating of electrolytic copper plating. Back of mirror is finished and protected with a heavy-duty waterproof paint. Laminated glass meets the performance criteria of Federal Spec. No. DD-M-451 and ANSI Z87.1 and complies with CPSC standards 16 CR 1201 (1) 11. Image quality: Excellent

**WARRANTY**

Warranted against silver spoilage for 15 years from date of Invoice